



Specifications for 120W MODUGrow + Far Red

Features

The MODUGrow full spectrum grow light is designed for indoor horticulture

- Highest PPE led technology available 3.10 $\mu\text{mol}/\text{J}$ using the Samsung LM301H leds & Luxeon SunPlus Far Red (730 nm)
- Passive cooling
- Simple refurbishment of LED module at end of life 50K hours (L70)
- Slim design
- Option: Far red can be switched on/off



Specifications

Electrical Specifications

Nominal Input Voltage:	198VAC - 264VAC
Power Input	120Watts
Power Factor	>0.98
Current @ 230VAC	0.5Amps
Inrush current	36Amps
Led Power	115Watts
Power Supply Efficiency	95%
Surge capability (L/N-Ground)	1Ka
Surge capability (L-N)	2Ka
Approval marks – approval	CCC / CE / RCM / ENEC 05
Standards	Acc. to IEC 61347-1/Acc. to IEC 61347-2-13/Acc. to IEC 62384/Acc. to IEC 61000-3-2/Acc. to IEC 61000-3-3/Acc. to IEC 61547
Driver Life Span	50000h @ TC Point of 80°C 100000h @ TC Point of 70°C
Operating temperature (Ta):	-40°C to +55°C
IP Rating	IP52

LED Specification

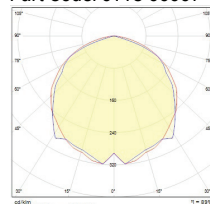
LED Type	240 x Samsung LM301H 32 x Luxeon SunPlus (730 nm)
Photosynthetic Photon Flux ($\mu\text{mol PAR}/\text{s}$):	285 $\mu\text{mol}/\text{s}$ LM301H 25 $\mu\text{mol}/\text{s}$ L1SP-FR
PAR Photon Efficacy ($\mu\text{mol PAR}/\text{J}$):	3.10 $\mu\text{mol}/\text{J}$ @ 65 mA LM301H 2.6 $\mu\text{mol}/\text{J}$ @ 65 mA L1SP-FR
LED Colour	3500K LM301H 730nm LH351H
L70 Life Span	50000h

Construction

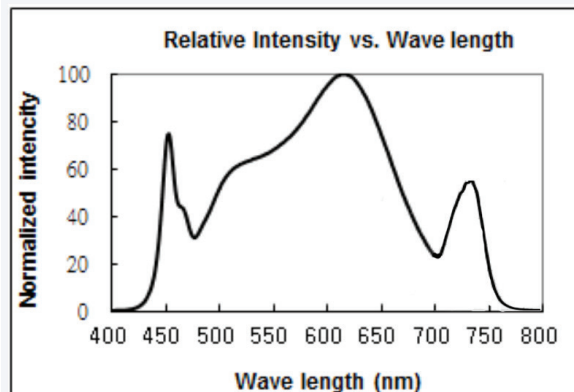
Materials	Aluminium 6063 T6, PMMA cover Brackets Stainless steel
Length, Height, Width	630mm, 146mm, 121mm

Photometric Data

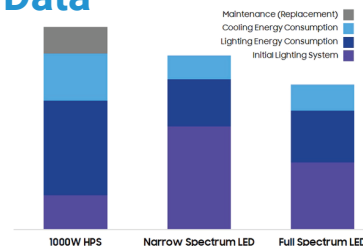
Part Code: 0118-00007



CCT : 3500K (90 CRI)

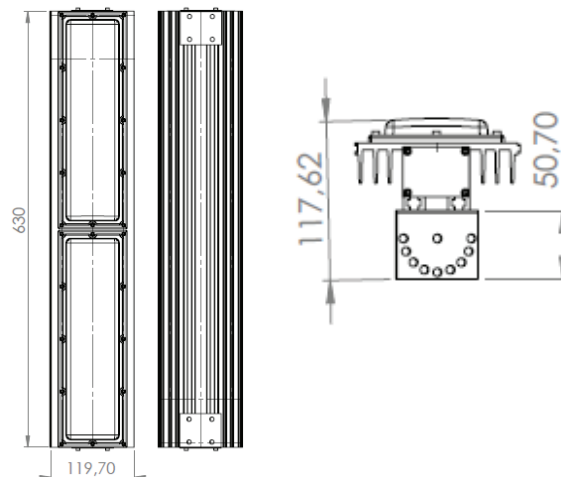


TCO for 3 Years



Light Output Specifications

PAR Photon Efficacy ($\mu\text{mol PAR}/\text{J}$):	2.6 $\mu\text{mol}/\text{J}$
Photosynthetic Photon Flux ($\mu\text{mol PAR}/\text{s}$):	310 $\mu\text{mol}/\text{s}$
Warranty:	2 years





Grow light PPFd maps

